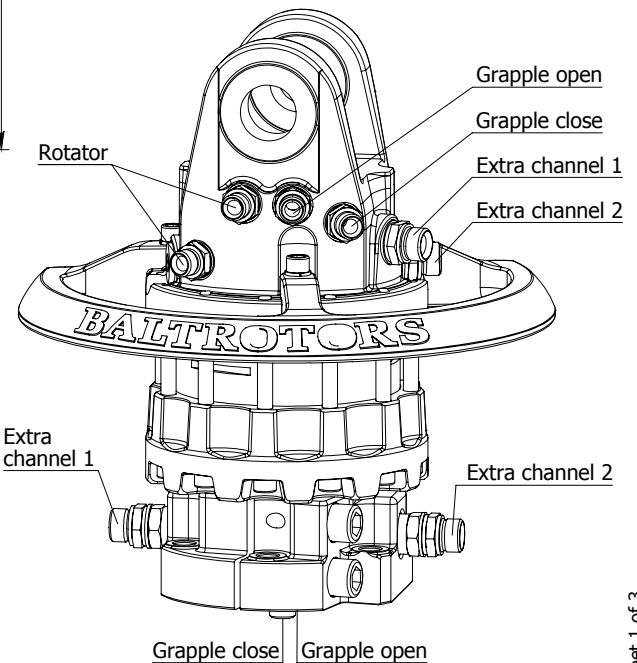
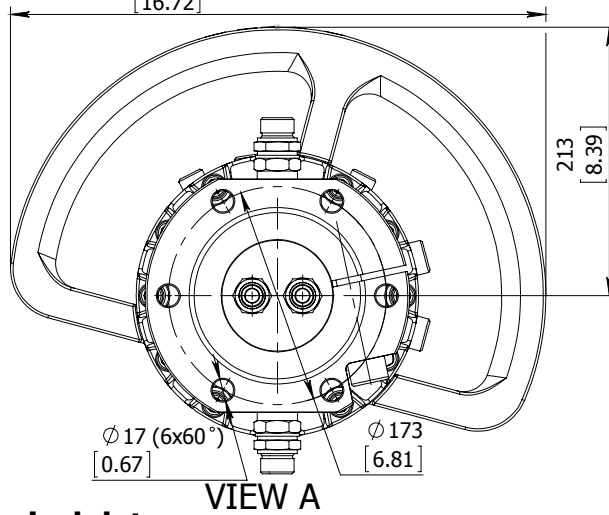
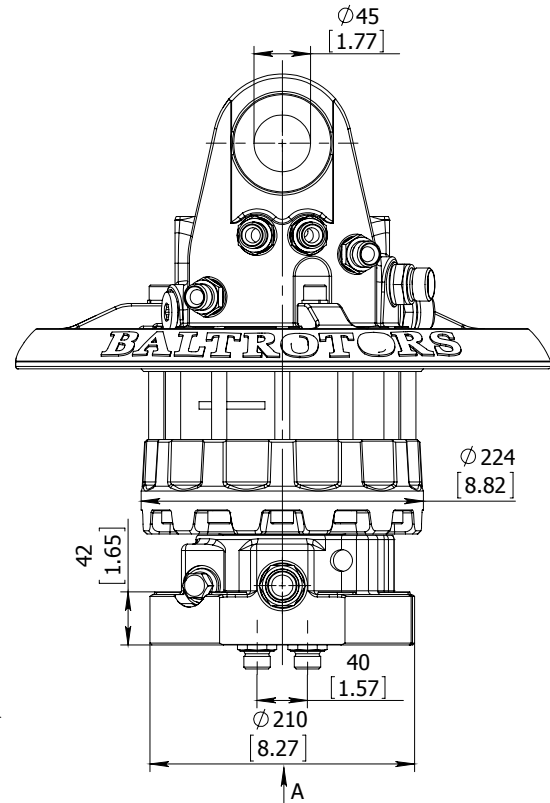
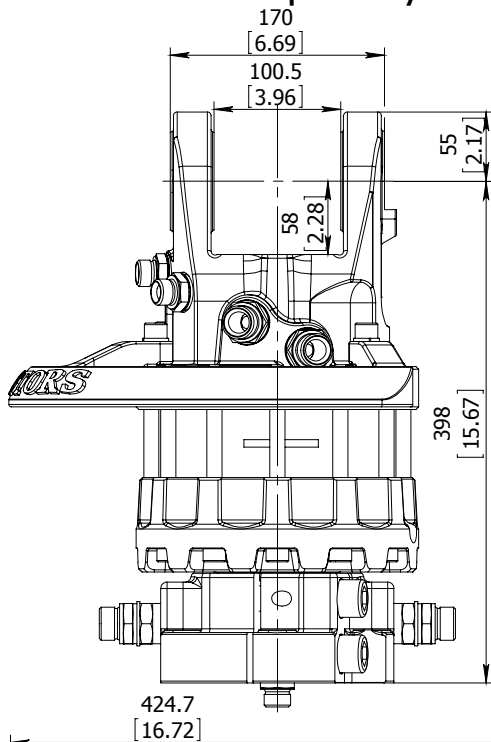


ROTATOR GRS16S

Specially designed for grapple saw



Technical data

| | |
|---------------------------------------|--------------|
| Rotation | Unlimited |
| Max axial load static, KN (lbf) | +160 (35976) |
| | -90 (20236) |
| Max axial load dynamic, KN (lbf) | +80 (17988) |
| | -45 (10118) |
| Torque at 25Mpa (3625psi), Nm (lb ft) | 3400 (2500) |
| Rec oilflow, l/min (US gallon) | 40 (10.6) |
| Weight, kg (lb) | 79 (174) |

Max working pressure:

| | | | |
|----------------------|------------|-----------------------|--------|
| Rotator | ←R→ | Max 25 MPa (3625 psi) | G 1/2" |
| Grapple / Tool open | ←G→ | Max 20 MPa (2900 psi) | G 1/2" |
| Grapple / Tool close | →G← | Max 30 MPa (4350 psi) | G 1/2" |
| Extra oil function | 1 2 | Max 30 MPa (4350 psi) | G 3/4" |

Connection: