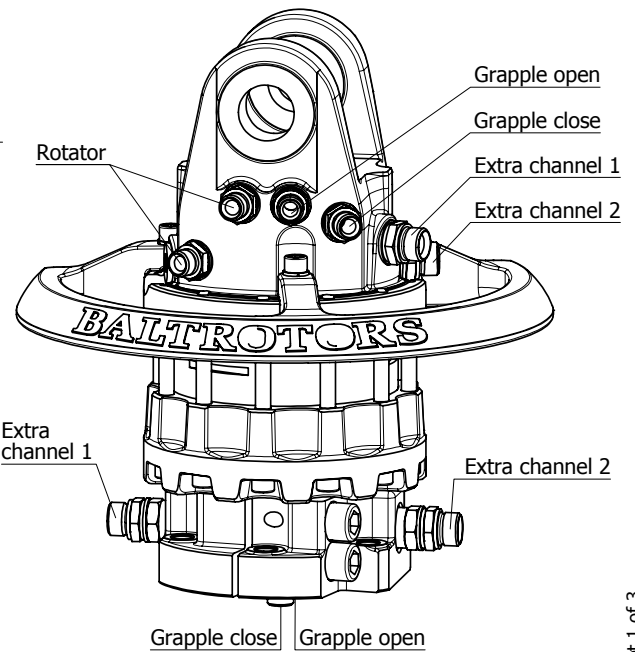
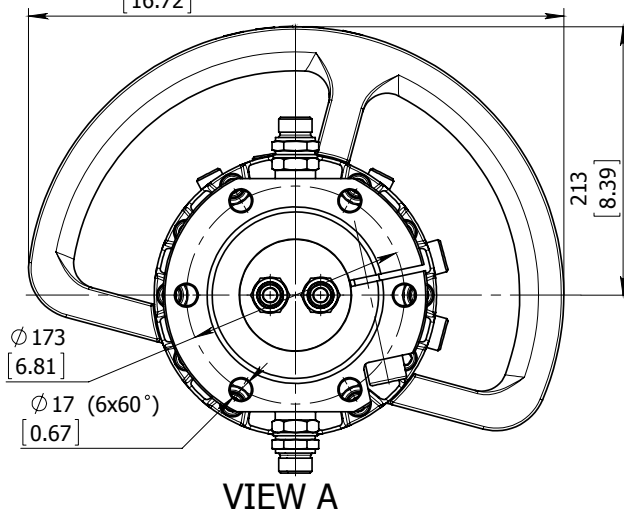
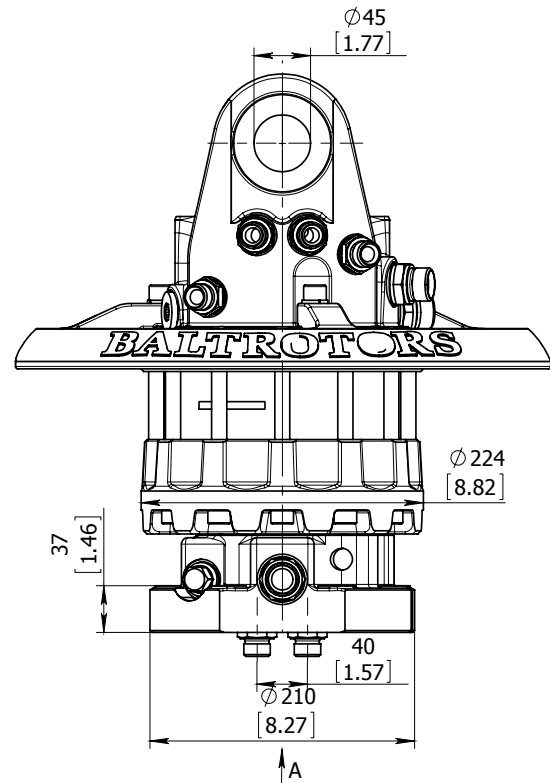
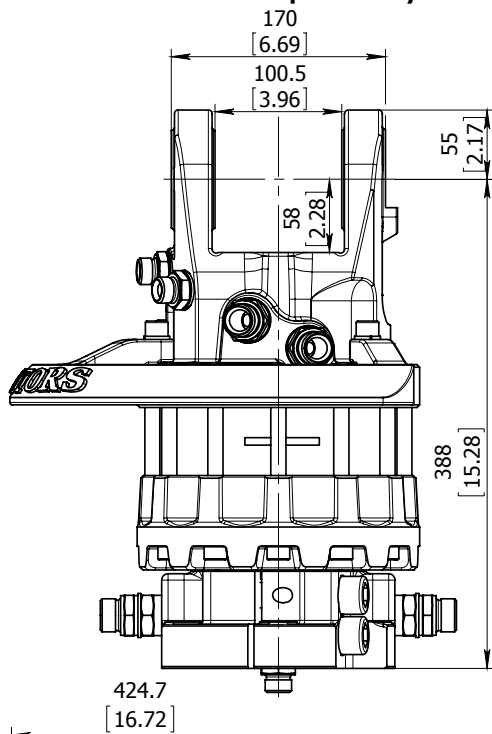


# ROTATOR GRS12S

Specially designed for grapple saw



## Technical data

|                                       |                             |
|---------------------------------------|-----------------------------|
| Rotation                              | Unlimited                   |
| Max axial load static, KN (lbf)       | +120 (26982)<br>-90 (20236) |
| Max axial load dynamic, KN (lbf)      | +60 (13491)<br>-45 (10118)  |
| Torque at 25Mpa (3625psi), Nm (lb ft) | 2900 (2139)                 |
| Rec oilflow, l/min (US gallon)        | 35 (9.25)                   |
| Weight, kg (lb)                       | 77 (171)                    |

## Max working pressure:

|                      |     |                       |        |
|----------------------|-----|-----------------------|--------|
| Rotator              | ↔R↔ | Max 25 MPa (3625 psi) | G 1/2" |
| Grapple / Tool open  | ↔G↔ | Max 20 MPa (2900 psi) | G 1/2" |
| Grapple / Tool close | →G← | Max 30 MPa (4350 psi) | G 1/2" |
| Extra oil function   | 1 2 | Max 30 MPa (4350 psi) | G 3/4" |

## Connection: