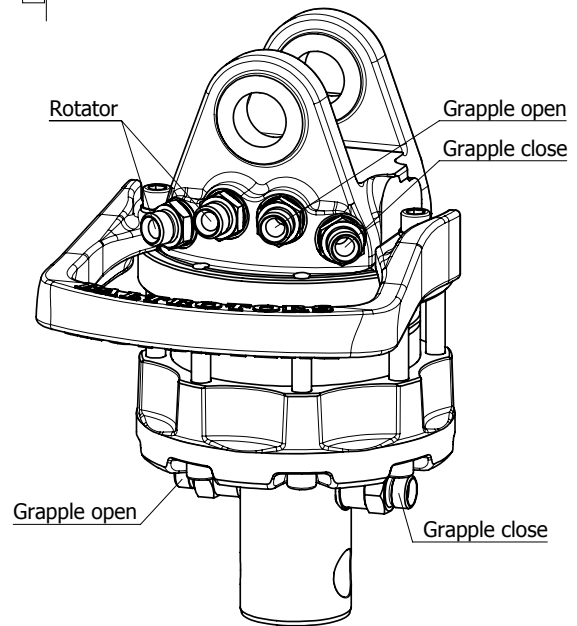
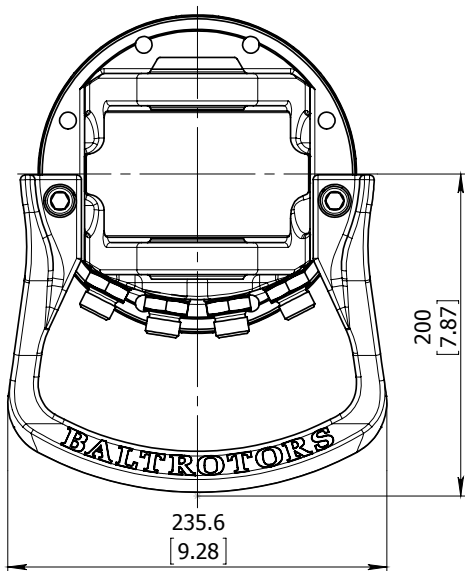
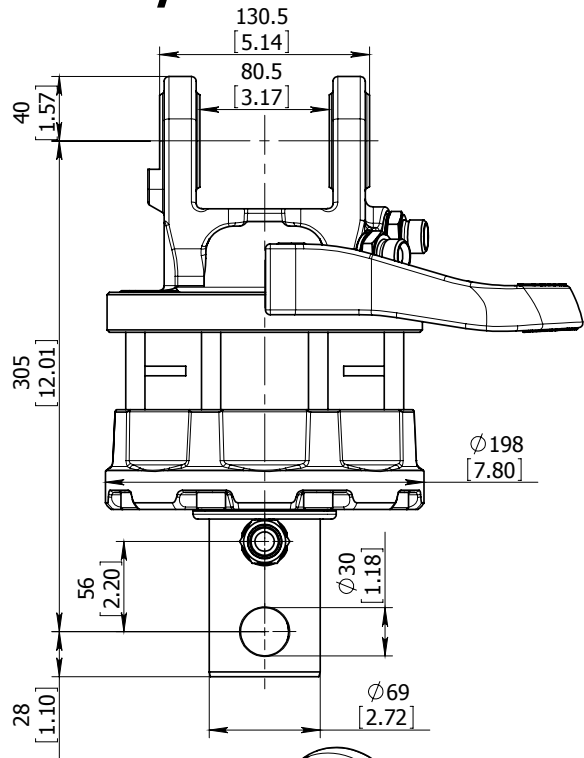
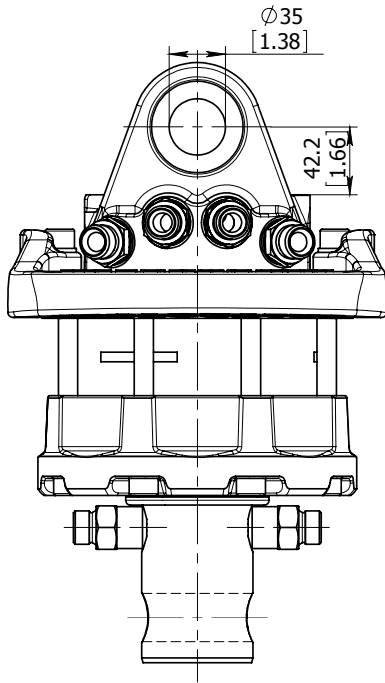


ROTATOR GR60/69



Technical data

| | |
|---------------------------------------|-------------|
| Rotation | Unlimited |
| Max axial load static, KN (lbf) | 60 (13491) |
| Max axial load dynamic, KN (lbf) | 30 (6745) |
| Torque at 25Mpa (3625psi), Nm (lb ft) | 1800 (1328) |
| Rec oilflow, l/min (US gallon) | 25 (6.6) |
| Weight, kg (lb) | 37 (81) |

Max working pressure:

| | |
|----------------------|----------------------------------|
| Rotator | ←R→ Max 25 MPa (3625 psi) |
| Grapple / Tool open | ←G→ Max 20 MPa (2900 psi) |
| Grapple / Tool close | →G← Max 30 MPa (4350 psi) |

Connection:

| |
|--------|
| G 1/2" |
| G 1/2" |
| G 1/2" |