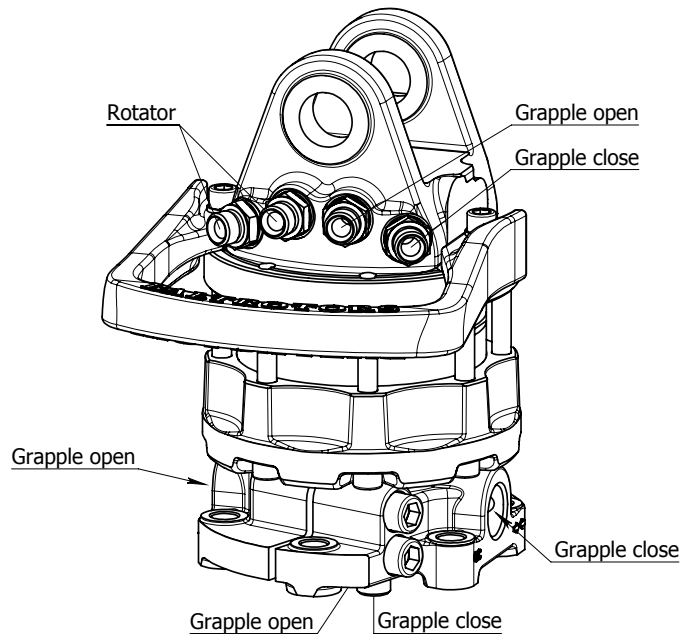
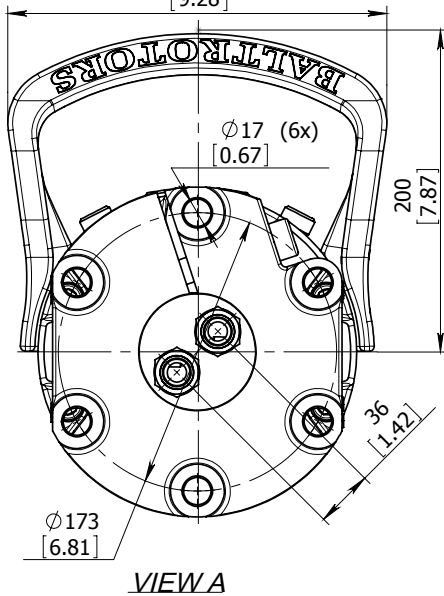
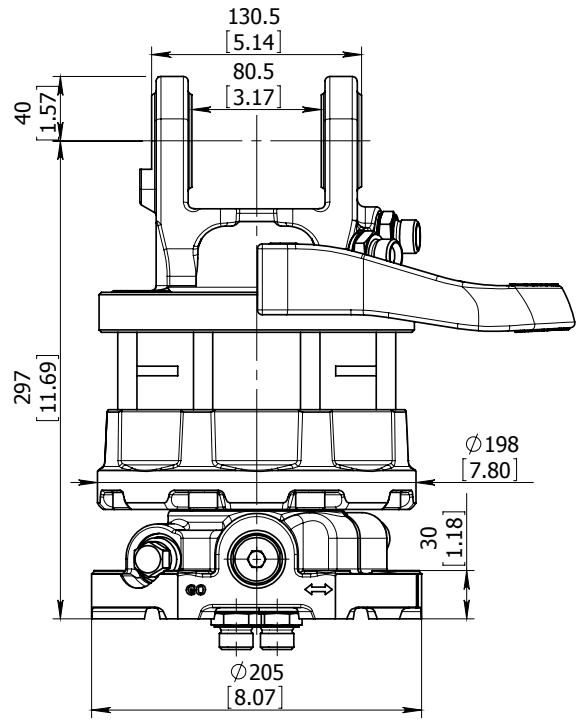
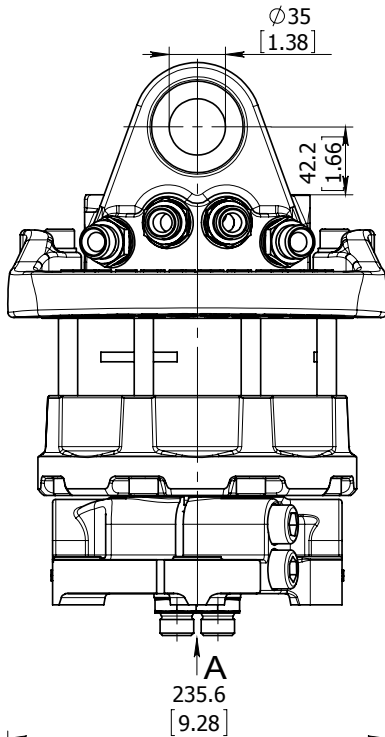


ROTATOR GR603DB



Technical data

Rotation	Unlimited
Max axial load static, KN (lbf)	+60 (13491) -50 (11242)
Max axial load dynamic, KN (lbf)	+30 (6745) -25 (5621)
Torque at 25Mpa (3625psi), Nm (lb ft)	1800 (1328)
Rec oilflow, l/min (US gallon)	25 (6.6)
Weight, kg (lb)	43 (95)

Max working pressure:

Rotator	←R→	Max 25 MPa (3625 psi)
Grapple / Tool open	←G→	Max 20 MPa (2900 psi)
Grapple / Tool close	→G←	Max 30 MPa (4350 psi)

Connection:

G 1/2"
