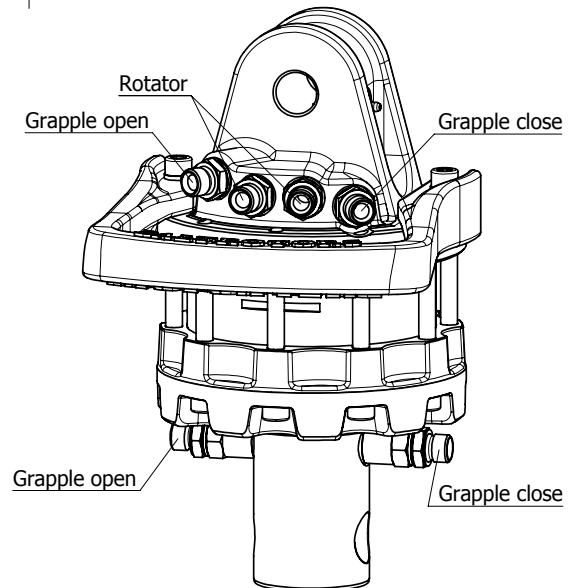
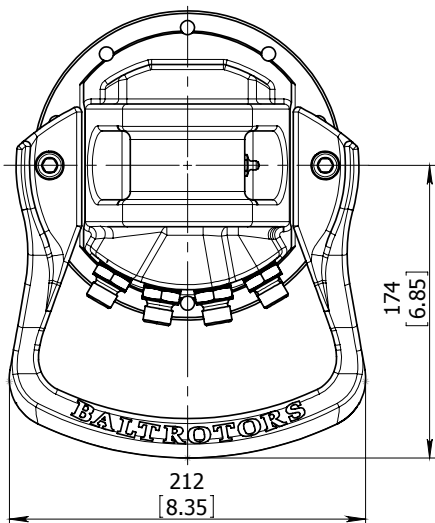
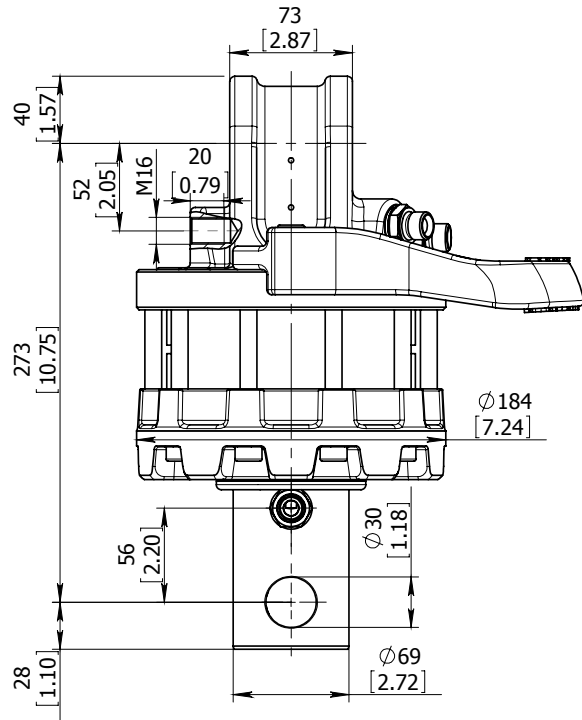
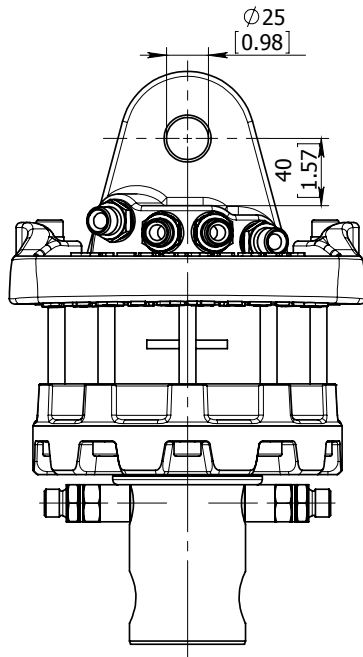


# ROTATOR GR46/69M



## Technical data

|                                       |            |
|---------------------------------------|------------|
| Rotation                              | Unlimited  |
| Max axial load static, KN (lbf)       | 45 (10118) |
| Max axial load dynamic, KN (lbf)      | 25 (5621)  |
| Torque at 25Mpa (3625psi), Nm (lb ft) | 1200 (885) |
| Rec oilflow, l/min (US gallon)        | 22 (5.8)   |
| Weight, kg (lb)                       | 29 (64)    |

### Max working pressure:

|                      |     |                       |
|----------------------|-----|-----------------------|
| Rotator              | ←R→ | Max 25 MPa (3625 psi) |
| Grapple / Tool open  | ←G→ | Max 20 MPa (2900 psi) |
| Grapple / Tool close | →G← | Max 30 MPa (4350 psi) |

### Connection:

|        |
|--------|
| G 3/8" |
| G 3/8" |
| G 3/8" |