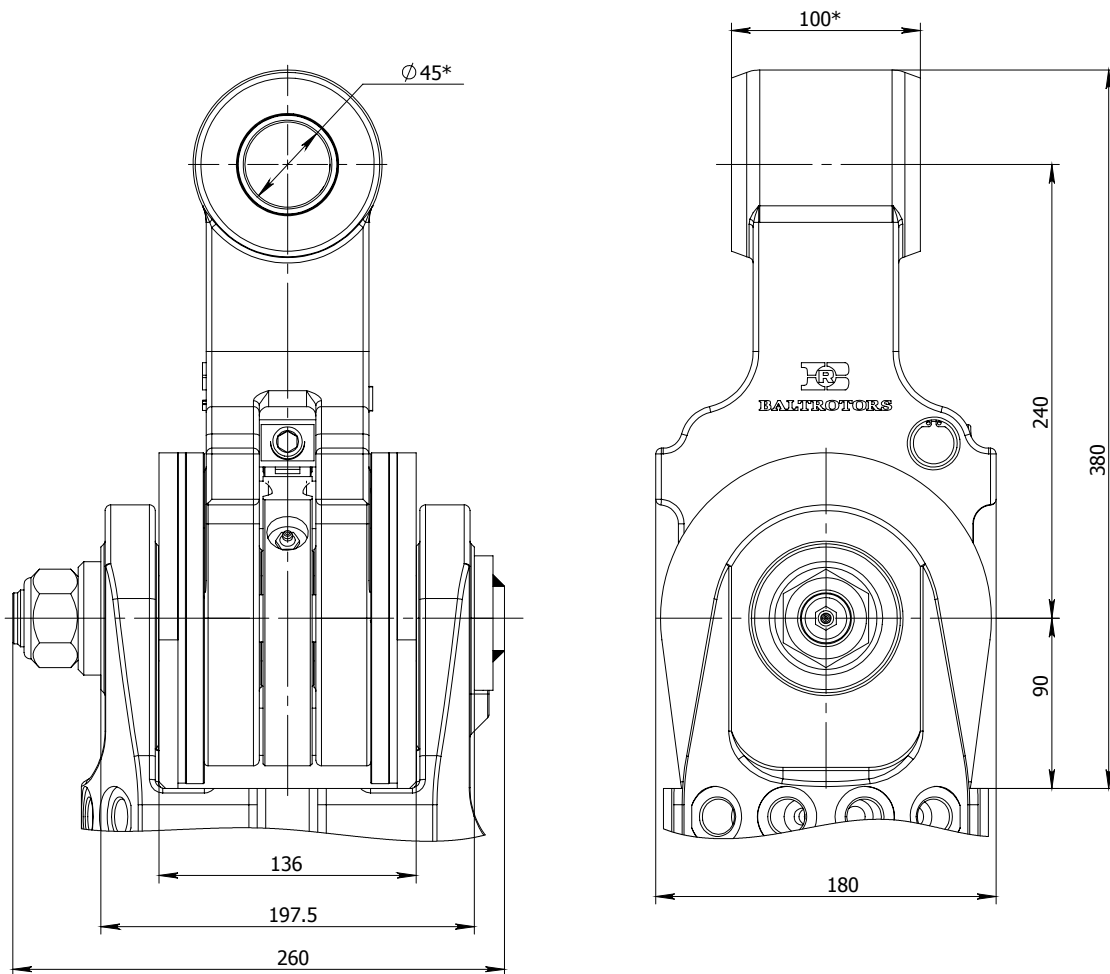


LINK DLG30

PATENT PENDING



* - Other dimensions are available upon customer request

Technical data

Max load, kN	160 (35969 lbf)
Nominal braking torque of the disc brake, Nm	600 (442 lb ft)
Max braking torque of the disc brake, Nm	700 (516 lb ft)
Weight, kg	34 (75 lb)