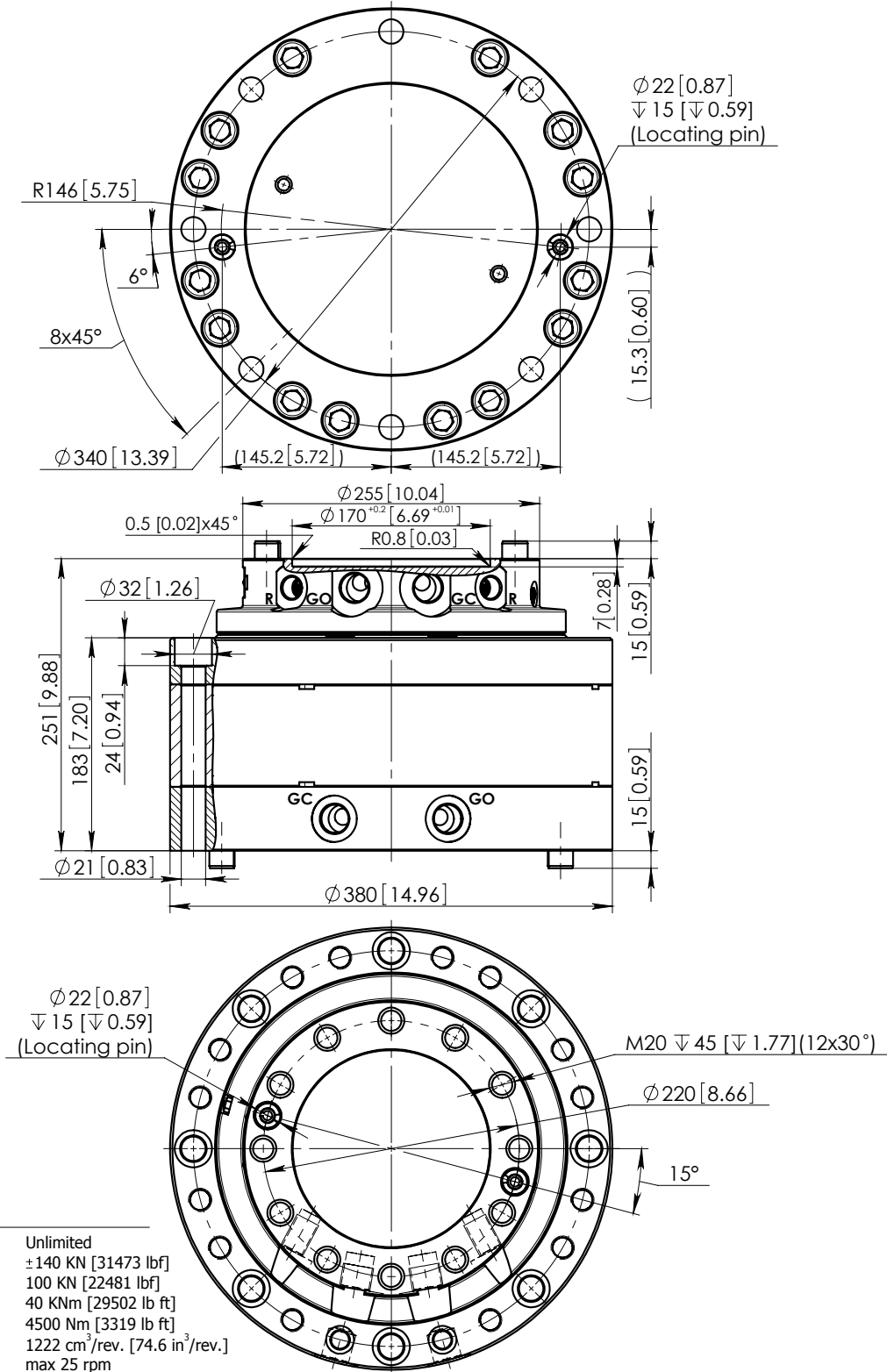


# INDUSTRIAL ROTATOR **CPR14-01**

(PATENTED)



## Technical data

|                           |   |
|---------------------------|---|
| Rotation                  | Unlimited   |
| Max axial load            | $\pm 140$ KN [31473 lbf]                                |
| Max radial load           | 100 KN [22481 lbf]                                      |
| Moment of deflection      | 40 KNm [29502 lb ft]                                    |
| Torque at 25 Mpa          | 4500 Nm [3319 lb ft]                                    |
| Rated displacement        | 1222 cm <sup>3</sup> /rev. [74.6 in <sup>3</sup> /rev.] |
| Rotation speed            | max 25 rpm  |
| Oil duct area for grapple | 260 mm <sup>2</sup> [0.403 in <sup>2</sup> ]            |
| Weight                    | 172 kg [379 lb]   |

| Function                       | Max working pressure | Rec oilflow                | Connection |
|--------------------------------|----------------------|----------------------------|------------|
| <b>R</b> - rotation            | 25 MPa [3625 psi] *  | 35 l/min [9.2 gal(US)/min] | G 1/2      |
| <b>GO</b> - grapple/tool open  | 35 MPa [5076 psi]    |                            | G 3/4      |
| <b>GC</b> - grapple/tool close | 35 MPa [5076 psi]    |                            | G 3/4      |

\* Relief valves fitted