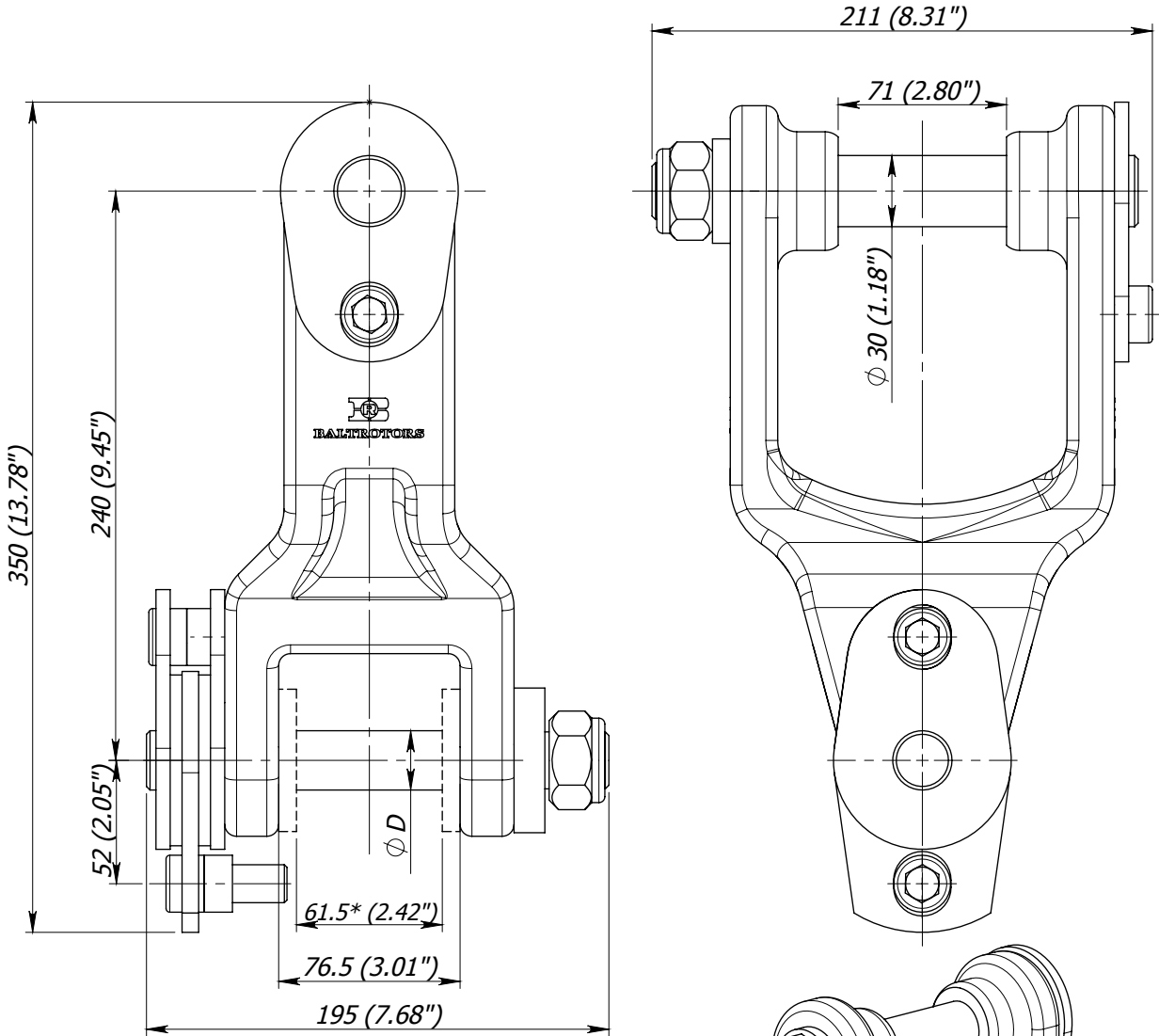


# LINK BR 40



**\* Only by request for rotator GR 30**

Link	Pin diameter D (mm)
BR 40	25 (0.98'')
BR 40-A	30 (1.18'')

*Serial number*

- Pin locking nut is tightened with a torque of 60 - 160 Nm (45 - 120 lb ft) dependent on desired brake power.
- Weight - 13.5±1 kg (29.76±2.20 lb)