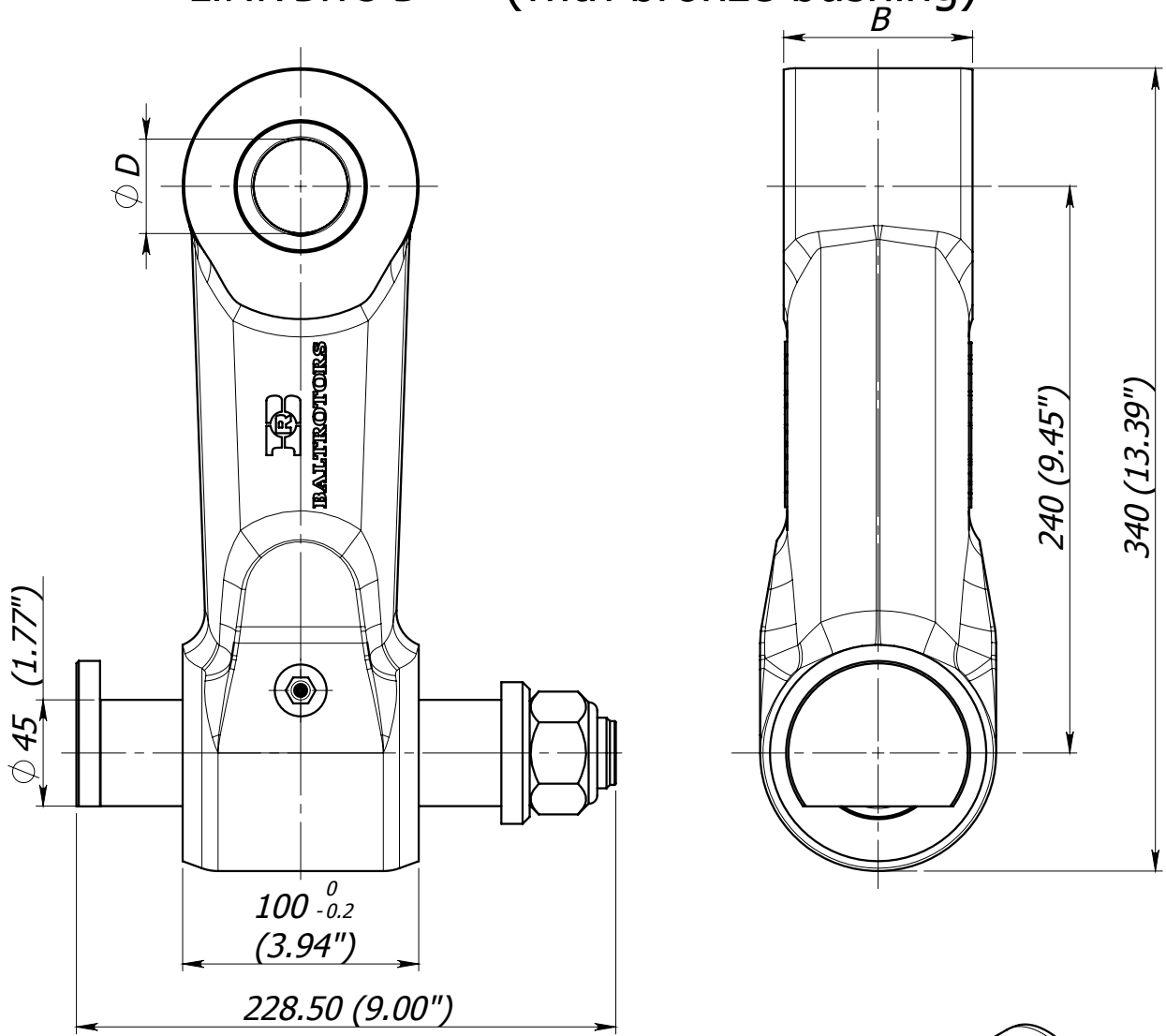
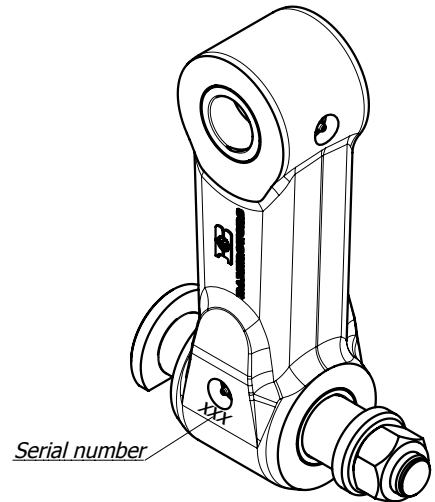


# LINK BR 3 B (with bronze bushing)



Dimensions	
Crane nose pivot pin diameter $\phi D$ (mm)	Link width B (mm)
	$100^{0}_{-0.2}$ (3.94")
45 (1.77")	BR 3 B/45



- \* Pin locking nut is tightened with a torque of 120 Nm (89 lb ft)
- \* Weight -  $20.5 \pm 1$  kg ( $44.09 \pm 2.20$  lb)
- \* Fill grease Starplex EP 2, through lubricating nipple (pos. 7), until it will appear to the external surfaces. Greasing must be repeated after every 8 working hours of the link.