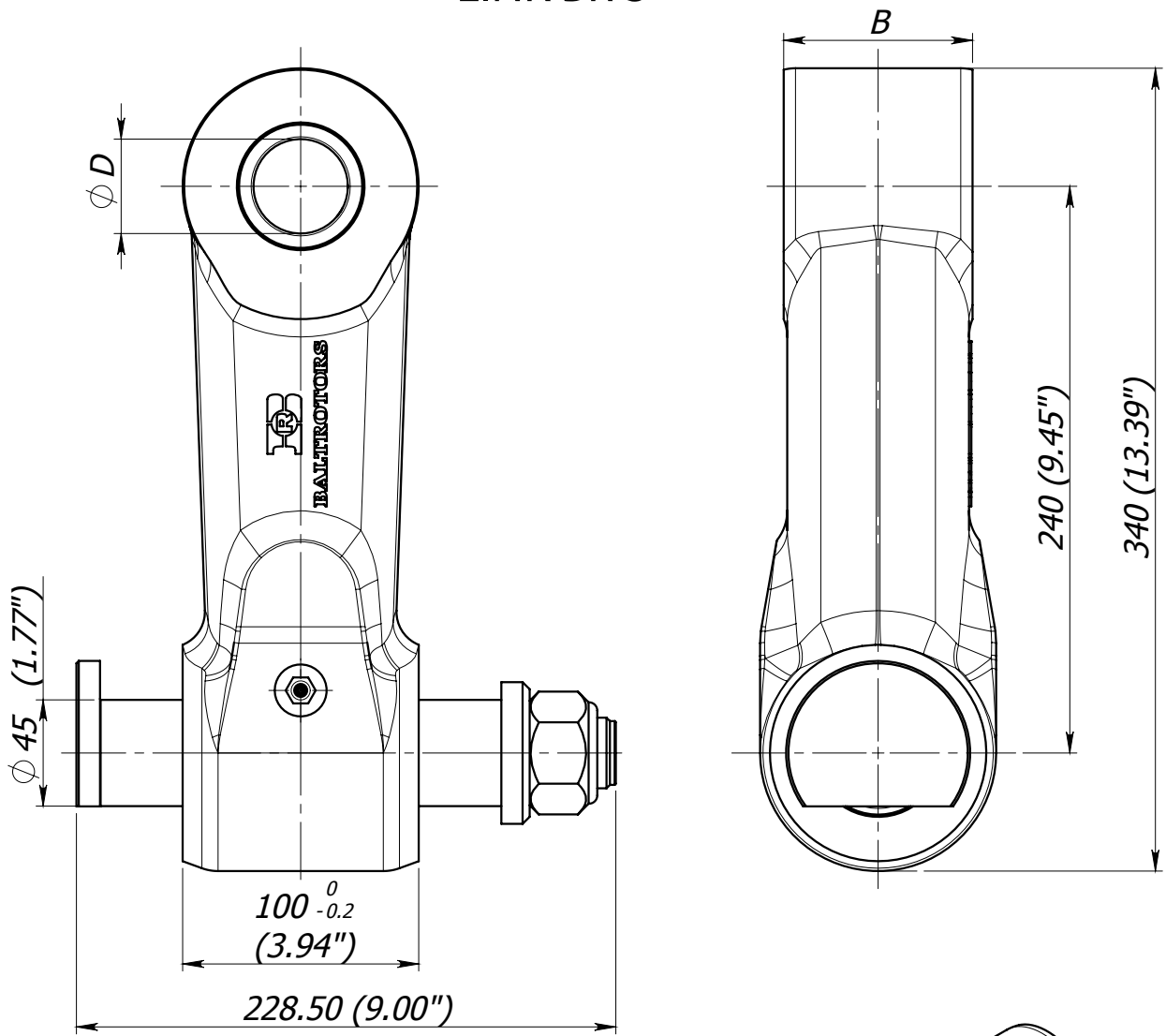
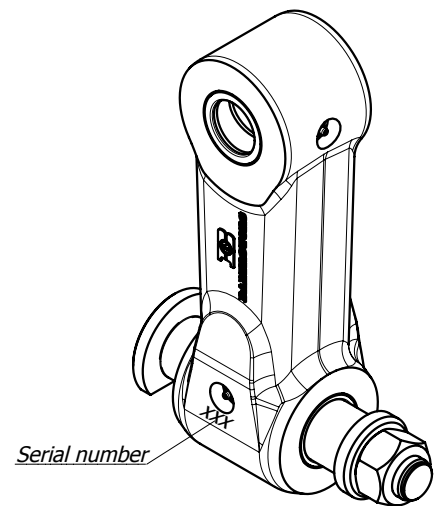


LINK BR 3



| Dimensions | | |
|---|-------------------|-------------------------|
| Crane nose pivot pin diameter ϕD (mm) | Link width B (mm) | |
| | | $80^{0}_{-0.2}$ (3.15") |
| 50 (1.97") | BR 3-80/50 | BR 3/50 |
| 45 (1.77") | BR 3-80/45 | BR 3/45 |



- * Pin locking nut is tightened with a torque of 120 Nm (89 lb ft)
- * Weight - 20.5 ± 1 kg (44.09 \pm 2.20 lb)
- * Fill grease Starplex EP 2, through lubricating nipple (pos. 7), until it will appear to the external surfaces. Greasing must be repeated after every 8 working hours of the link.