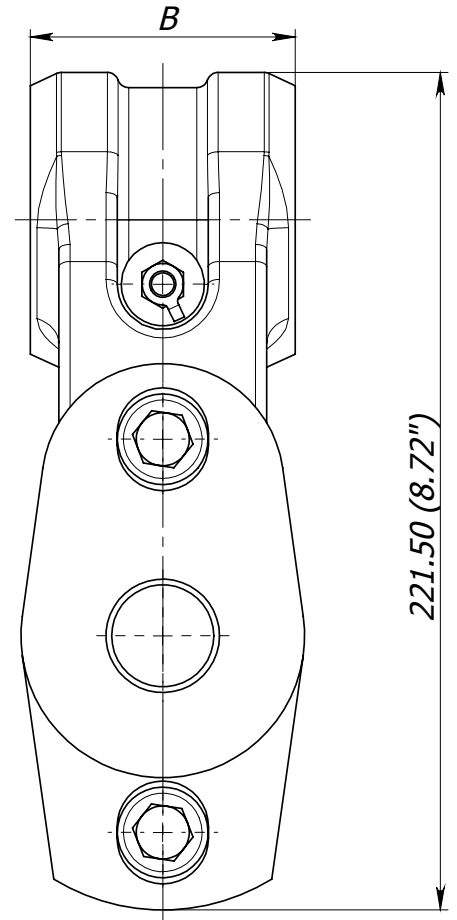
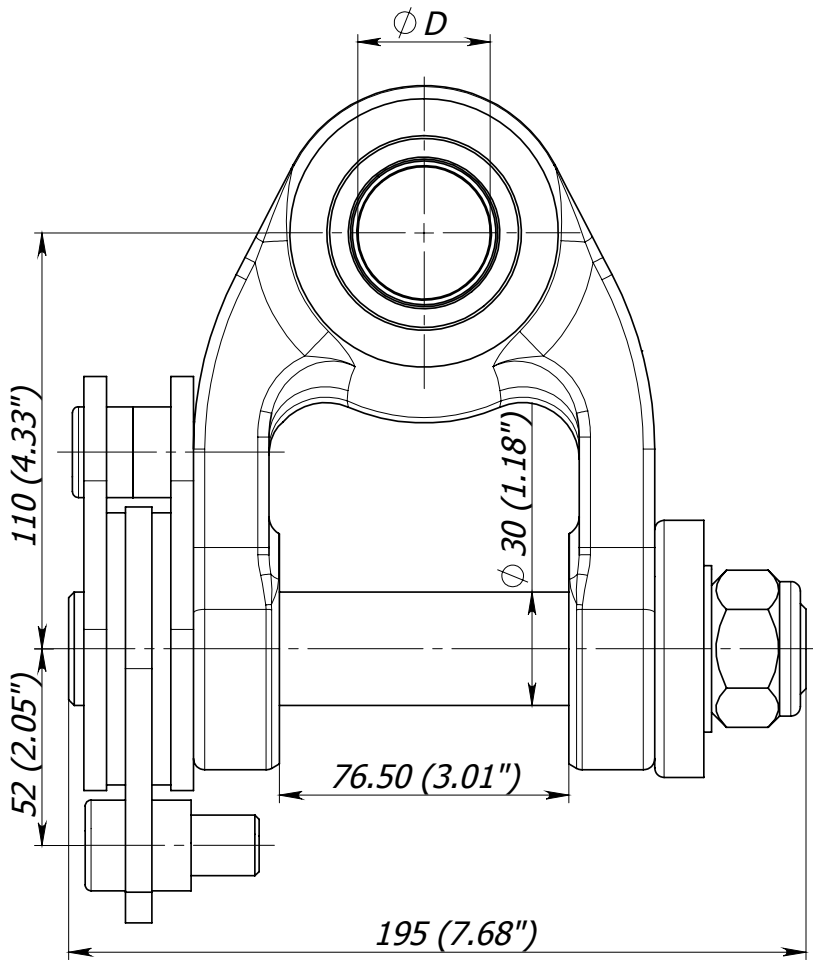
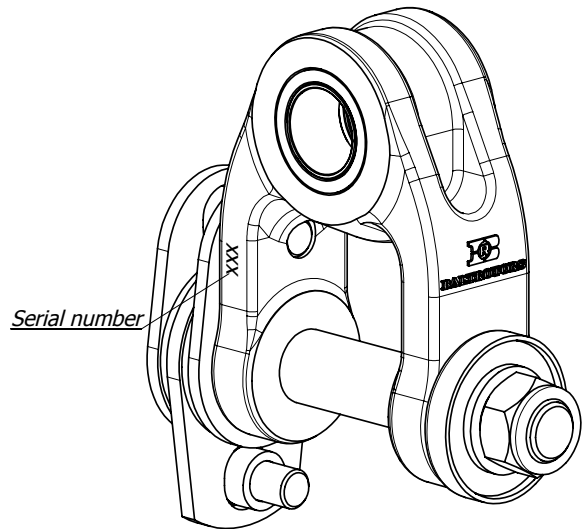


# LINK BR10-A



Dimensions	
Crane nose pivot pin diameter $\varnothing D$ (mm)	Link width B (mm)
	$80_{-0.3}^0$ (3.15")
45 (1.77")	BR10-A/80/45
40 (1.57")	BR10-A/80/40
30 (1.18")	BR10-A/80/30



- Pin locking nut is tightened with a torque of 60 - 160 Nm (45 - 120 lb ft) dependent on desired brake power.
- Weight -  $6.5 \pm 1$  kg ( $14.55 \pm 2.20$  lb)
- Fill grease Starplex EP 2, through lubricating nipple (pos. 14), until it will appear to the external surfaces. Greasing must be repeated after every 8 working hours of the link.