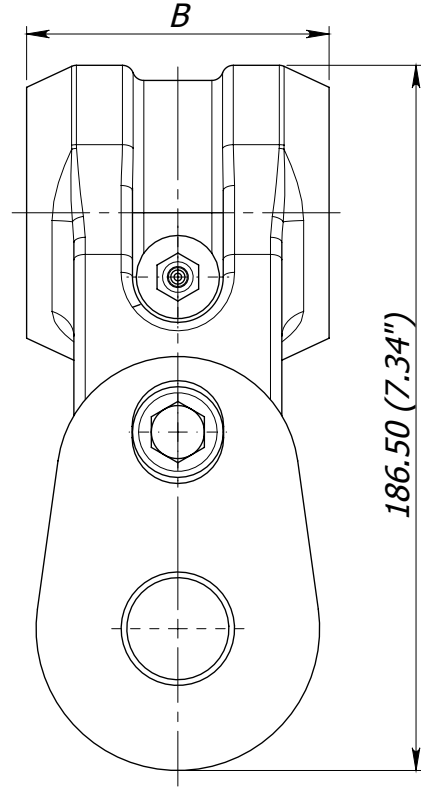
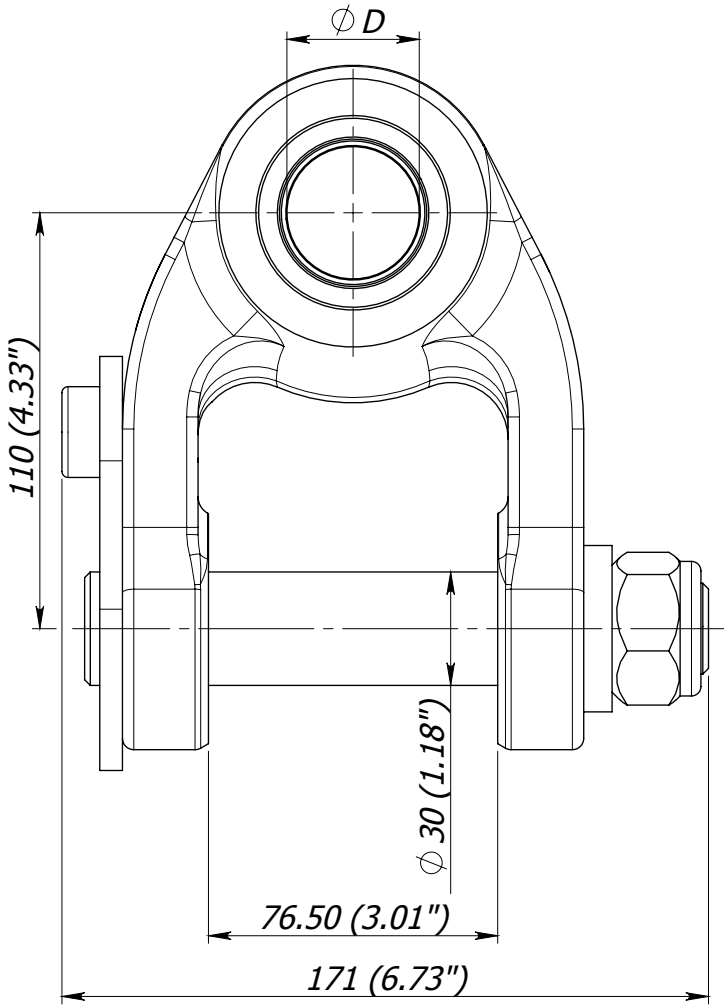
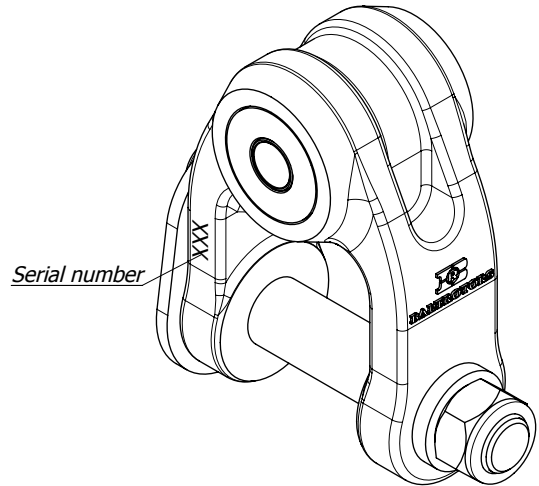


LINK BR 1-A



Dimensions			
Crane nose pivot pin diameter ϕD (mm)	Link width B (mm)		
	80 ⁰ _{-0.3} (3.15")	70 ⁰ _{-0.3} (2.76")	60 ⁰ _{-0.3} (2.36")
45 (1.77")	BR 1-A/80/45	BR 1-A/70/45	
40 (1.57")	BR 1-A/80/40		
35 (1.38")	BR 1-A/80/35		
30 (1.18")	BR 1-A/80/30	BR 1-A/70/30	
25 (0.98")	BR 1-A/80/25		BR 1-A/60/25
20 (0.79")	BR 1-A/80/20		



- Pin locking nut is tightened with a torque of 120 Nm (89 lb ft)
- Weight - 5.5 ± 1 kg (12.12 ± 2.20 lb)
- Fill grease Starplex EP 2, through lubricating nipple (pos. 8), until it will appear to the external surfaces. Greasing must be repeated after every 8 working hours of the link.