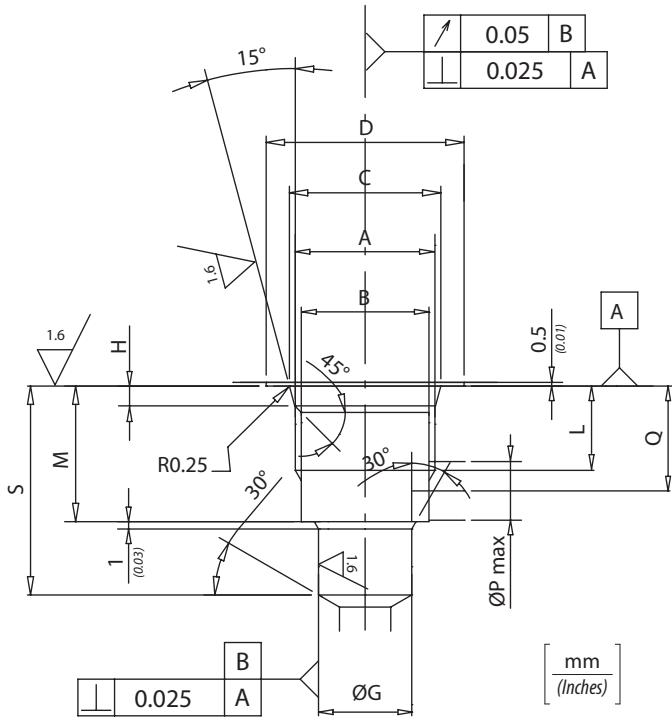


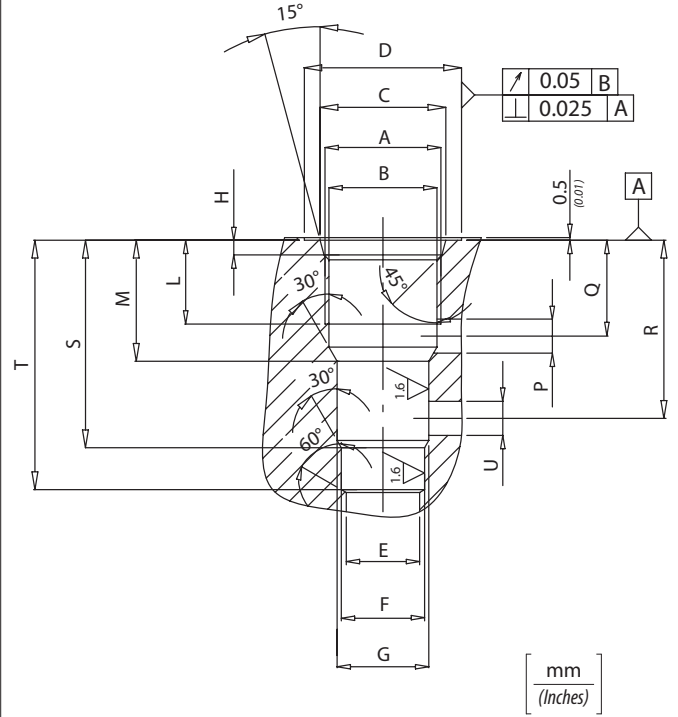


SAE-AUSHÖHLUNGEN *SAE полости*

SAE__/2



SAE__/3

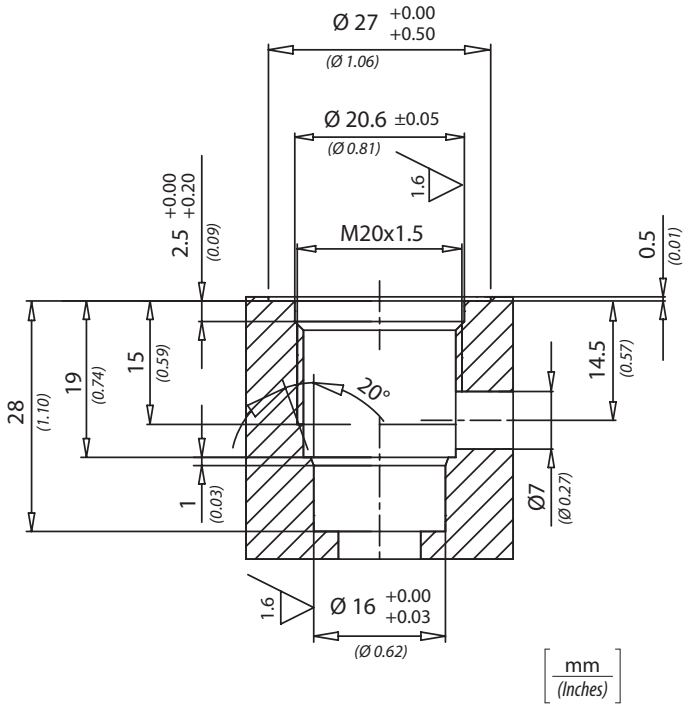


Größe / Размеры

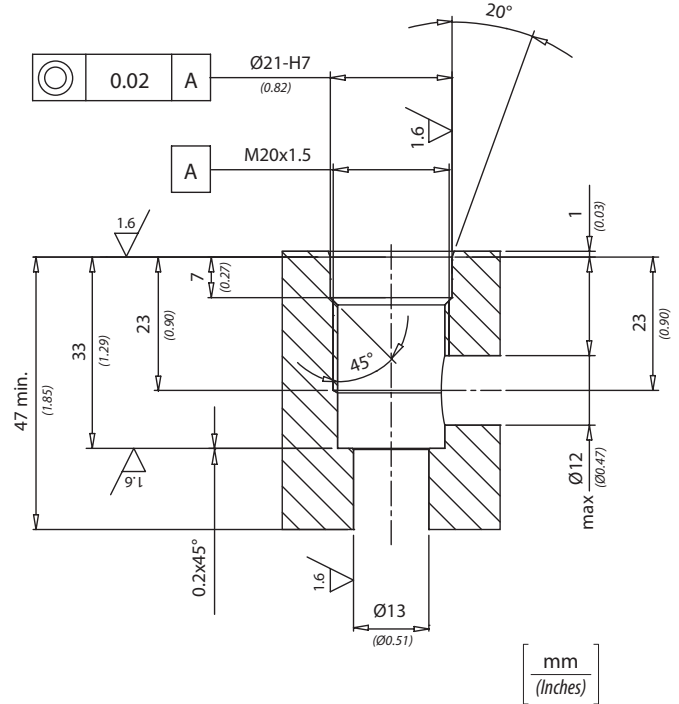
Code Код	A	B ± 0,05	C ± 0,05	D	E Ø max макс.	F ± 0,02	G ± 0,02	H	L	M	P	Q	R	S	T	U
SAE08/2	3/4-16 UNF	17,42 (0.686)	20,66 (0.686)	27 (1.063)			12,72 (0.50)	2,7 (0.106)	11,50 (0.452)	18,50 (0.728)	8 (0.315)	14,30 (0.563)	28,50 (1.122)			
SAE08/3					12,5 (0.492)	14,30 (0.563)	15,90 (0.626)			19,10 (0.752)	5,5 (0.216)			28,6 (1.126)	33,30 (1.311)	41,30 (1.62)
SAE10/2	7/8-14 UNF	20,62 (0.812)	24 (0.812)	30 (1.181)			22,25 (0.876)	2,8 (0.110)	16 (0.630)	23,80 (0.937)	11 (0.433)	18,30 (0.720)	34 (1.338)	39,60 (1.560)	47,60 (1.87)	6,5 (0.25)
SAE10/3					14 (0.551)	15,90 (0.626)	17,50 (0.689)			23,10 (0.909)	6,5 (0.256)					
SAE12/2	1-1/16-12 UNF	24,73 (0.973)	29,23 (1.151)	38 (1.496)			22,25 (0.876)	3,56 (0.140)	19 (0.748)	34,10 (1.342)	19 (0.748)	24,50 (0.964)	53 (2.086)	63,50 (2.5)	75,40 (2.96)	16 (0.62)
SAE12/3					19 (0.748)	22,25 (0.876)	23,82 (0.938)			36,60 (1.441)	16 (0.630)					
SAE16/2	1-5/16-12 UNF	31,34 (1.233)	35,58 (1.4)	45 (1.771)			28,62 (1.126)	3,49 (0.137)	22 (0.866)	34,10 (1.342)	19 (0.748)	53 (2.086)	64,30 (2.53)	75,40 (2.96)	16 (0.62)	
SAE16/3					19 (0.748)	27,08 (1.063)	36,60 (1.441)			16 (0.630)						



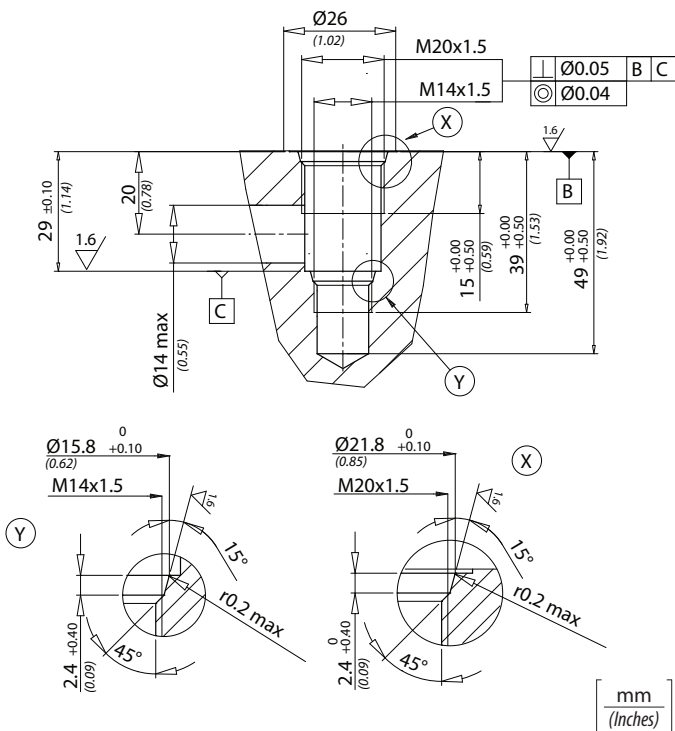
C2015/2



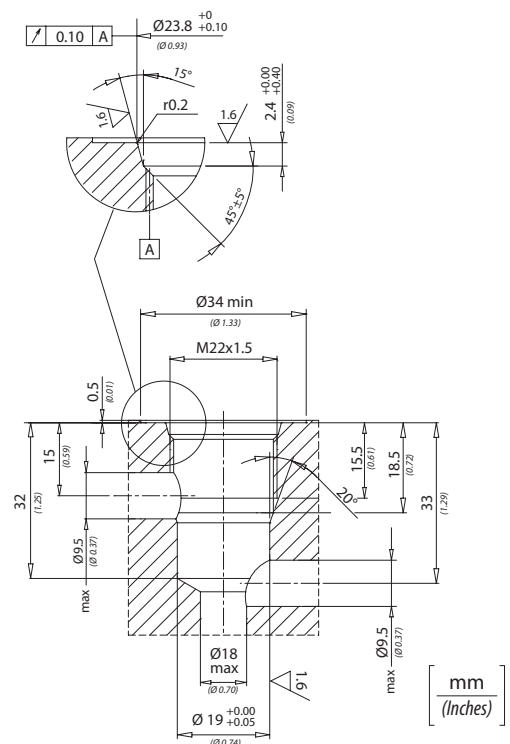
C2015/30



C2015/1415/2



C2215/2

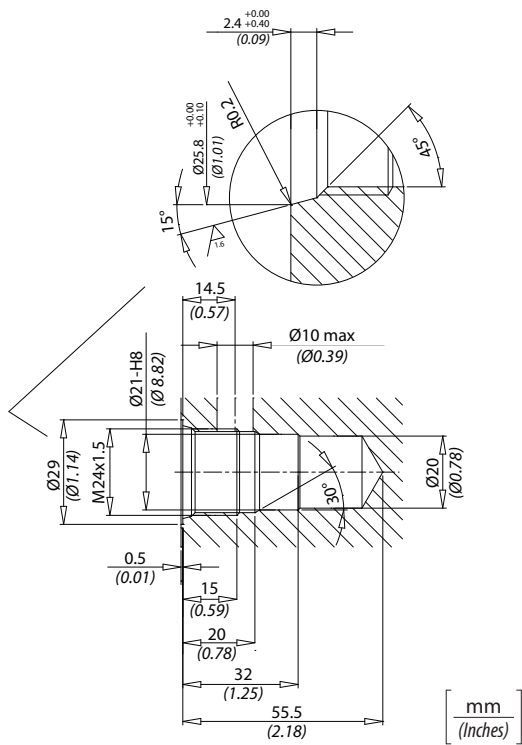




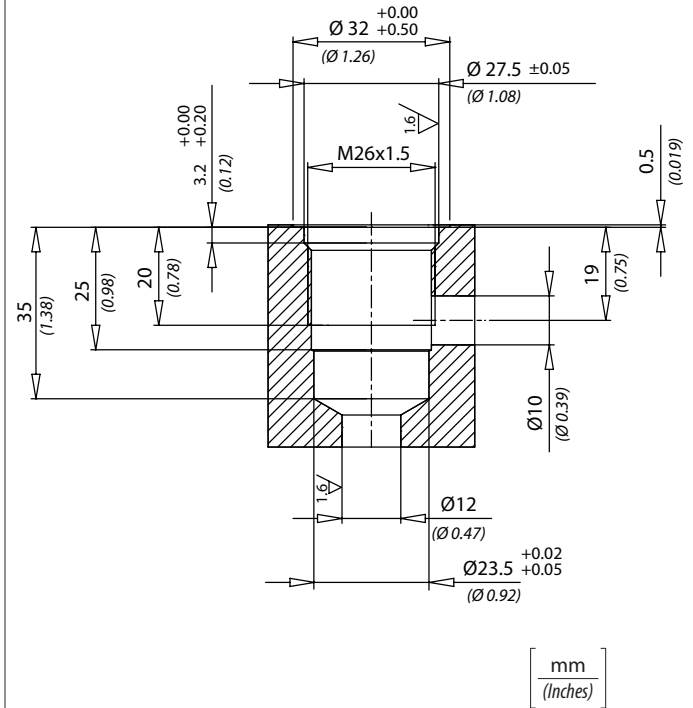
AUSHÖHLUNGEN

Полости

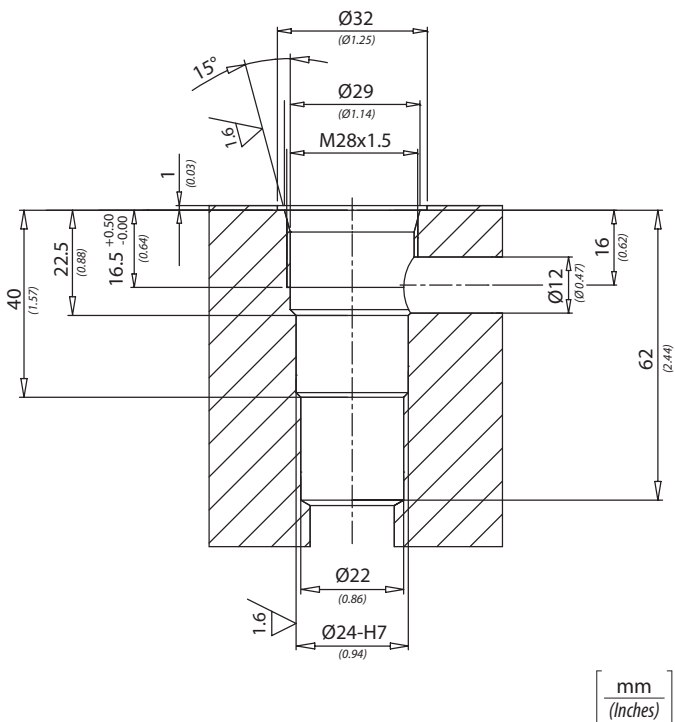
C2415/2



C2615/2



C2815/2



C100/2

